

Vaporin PRESIDENTIAL 2.0

Instruction Manual



www.vaporin.com

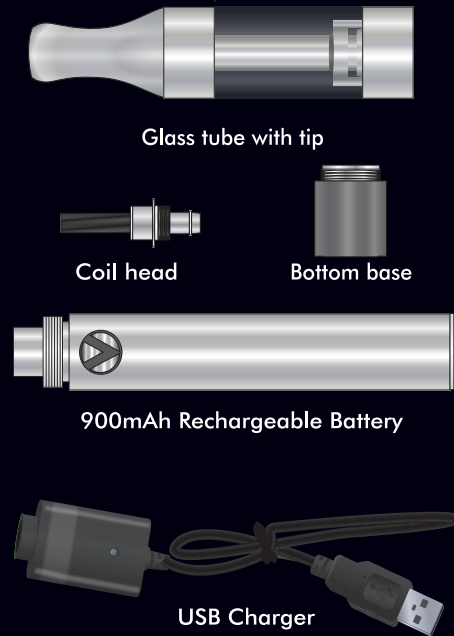
Thank you for purchasing the Vaporin Presidential Starter Kit. We took our top selling Presidential model and made it even better with a larger Pyrex glass clearomizer tank and dual coils.

We appreciate your business. If you have any questions about your Vaporin product, or comments about your experience with it, please contact us and let us know.

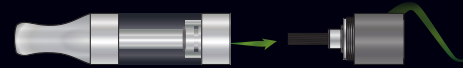
Sincerely,
The Vaporin Team

Vaporin Presidential Starter Kit includes:

- 1 900mAh Battery
- 1 Glass Clearomizer Refillable Tank
- 1 USB Charger
- 1 Manual

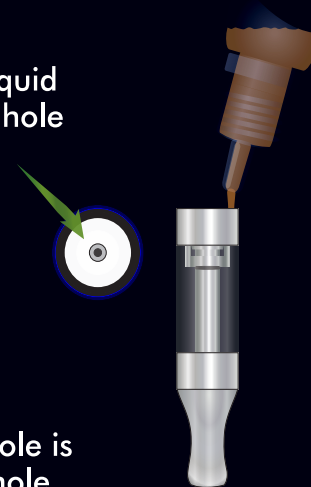


Step 1: Unscrew the bottom base from the Presidential tube.



Step 2: Fill the e-liquid to the Presidential tube. Using Vaporin e-liquid bottle, fill the Presidential tube by inserting e-liquid down the side wall (Do not fill e-liquid in the center hole, that is for air flow).

Fill e-liquid around hole



**Center hole is venting hole.
DO NOT FILL e-liquid.**

Step 3: Screw bottom base back into the Presidential tube again.

How to enjoy your Vaporin Presidential: Reattach clearomizer with the battery. Your Presidential is now in stand-by state.



To Power on the Vaporizer, simply press the power button 5 times to power the element on. Hold the power button down up to 5 seconds to activate the heating element. With the power button still held down, put the mouthpiece in your mouth and inhale lightly.

How to charge the Presidential battery:

Just screw the Presidential battery with the USB charger, then plug it into the PC or AC-USB wall adapter.

1. The first charge should be kept for 3-4 hours, even if the LED light turns green. The normal charging time should be kept for 2-3 hours (even if the LED light turns green).

Plug in the battery clockwise in the charge port.



DO NOT LEAVE YOUR BATTERIES SCREWED INTO THE CHARGER FOR EXTENDED PERIODS OF TIME ONCE CHARGING IS COMPLETE, AS THE SAFETY MECHANISM WILL AUTOMATICALLY DRAIN THE BATTERY.

WARNING: Do not use your **Vaporin** with any other devices or products other than supplied. Do not charge your **Vaporin** batteries with any other charging device other than certified **Vaporin** chargers. Charging using any other device may cause fire.

How to change the coil head on a **Vaporin** Presidential Clearomizer:

Step 1: Unscrew the Presidential tube from bottom base.



Step 2: Unscrew the old coil head from the top of the base assembly.



Step 3: Screw the new coil head into the bottom base again;



* Tip: A loose coil head can cause leaking.

Step 4: Screw the Presidential tube back into the bottom base.



Please Note

- Persons under 18 years of age are not permitted to purchase or use **Vaporin** Electronic vaporizers. Non-smokers, children, pregnant women, women who may become pregnant, women breastfeeding or persons with or at risk of heart disease, hypertension, high blood pressure, diabetes, or taking medicine for depression or asthma should not use this product. Nicotine is known to cause sudden and severe increases in heart rate and blood pressure and may be dangerous to your health.

- **Vaporin** is intended for current smokers over the age of 18 who wish to use **Vaporin** as an alternative to traditional smoking, without the tar, ash and smell found in traditional vaporizers.

- You should consult your physician before using **Vaporin** Electronic Vaporizer because they may or may not contain nicotine.

- If you are smoking tobacco products you are encouraged to stop.

- When not smoking **Vaporin**, you should always keep it stored in their original box. If the vaporizer is exposed to wind or loud noises, this may cause to activate continually and overheat.

- Please keep out of reach of children and pets. Some parts of **Vaporin** may be a choking hazard. If ingested, please consult your doctor or vet immediately.

Vaporin Limited Warranty

Vaporin, Inc. warrants for a period of 90 days from the original purchase date, the vaporizer, charger and batteries included are free from material defects and workmanship. If material is found to be defective, the sole liability from Vaporin is to repair or replace with a factory recertified product.

If there is dissatisfaction or damage arising from use of our product, you agree the only recourse and maximum liability may be repair or replacement of your product. This warranty is provided in lieu of all express or implied warranties including merchantability and fitness warranties unless these warranties are required by law. If such warranties are required they will apply only during the warranty period. For more information visit www.vaporin.com.

The warranty does not apply to other parts or if the product is used with non Vaporin certified or approved product, used for commercial purposes, damaged by wear and tear, acts of God, misuse, abuse, negligence, accident, modified or tampered with, or any other cause other than defective material or workmanship.

Customer Care

For service or help please call **Vaporin** customer care at 1-800-974-2950 or visit our website, www.Vaporin.com

This product has not been approved by the United States Food and Drug Administration. Keep out of reach of children. Refrain from using this product if you are under the legal smoking age in your state. This product is not an aid for smoking cessation.

*results may vary depending on usage.

Follow Us



<http://www.facebook.com/Vaporin>



<https://twitter.com/vaporin>